

# UNI-8



Weighing

Packing

Inspection

Display

Sell

Outstanding Usability and High-Speed Communication.  
Counter-Top Scale. High Accuracy. Pleasing Design.

# UNI-8



## Flexibility

The 10-inch LCD operation screen can be freely customized in any layout and the scale type can be selected from a wide variety of models. The UNI-8's flexibility to match store/sales formats and operations makes for smooth, seamless integration and service.

## Capability

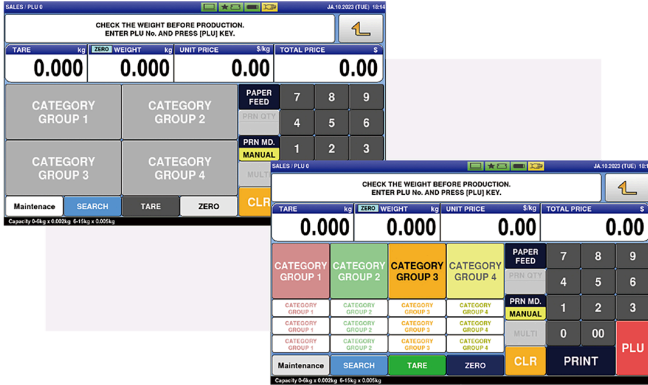
Processing speed is improved from the conventional models to support busy operations in store. Multiple videos and pictures can be uploaded to the scale thanks to its large memory capacity, enabling even more appealing visuals on the customer-facing display.

## Connectivity

High-speed data communication is enabled on this PC-based scale, with the capacity for video downloading and connection with state-of-the-art technologies, such as remote maintenance. It is also able to quickly connect with various systems to support sales over the counter.

## 10-inch LCD for an Easily Viewable and Freely Customizable Layout

The desired layout for various users is now achievable with a 10.1 inch LCD touchscreen and more flexibility in design for the operator display.



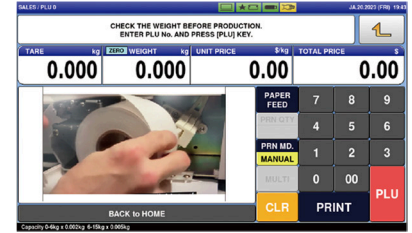
## Support of Multiple Label Types

Various types of media are available to use such as die-cut labels, linerless labels or continuous labels. The side-loading cassette makes for quick and easy replacement to reduce downtime during busy operations.



## Brilliant Colour Display

Thanks to its ability to show stunning images and videos on the customer or the operator-facing display, there is more opportunity for promotions or cross-selling. The operator display can also contribute to error-free work and help train new employees.



## High-speed Data Communication

The high-speed communication makes it possible to receive and work with large files without inconvenience. With state-of-the-art technologies, this scale provides more compatibility and flexibility with external systems.

The high speed response

▶▶ Gigabit Ethernet

\*Based on internal survey in 2021.

## Variation Lineup

Select the best model to suit your needs.

### Bench type (B)



### Pole type (P)



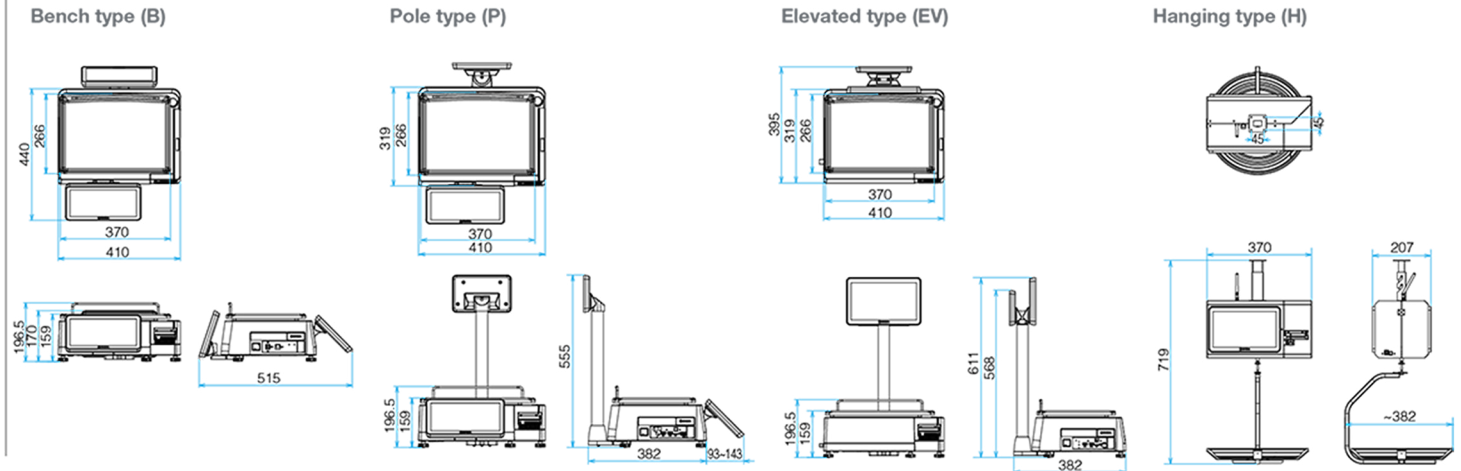
### Elevated type (EV)



### Hanging type (H)



## Dimensions (Unit: mm)



## Standard specification

Model		UNI-8	
Variation*1		Bench, Pole, Elevated, Hanging, RP 0-6kg x 0.002kg / 6-15kg x 0.005kg	
Scale Unit	Capacity x Division	(Multi-interval) 0-15lb x 0.005lb / 15-30lb x 0.01lb (Multi-interval) 0-15kg x 0.005kg (Single range) 0-30lb x 0.01lb (Single range)	
	Scale Platter Size	Bench / Pole / Elevated: 310 x 286mm Hanging: 382mm RP: 390 x 270mm	
Display	Size of operator side	10.1"	
	Size of customer side	7"	
	System	Capacitive touch panel	
Printer	Media type	Die-cut label / Continuous label / Linerless label (Manual /Auto cut /Receipt)	
	Media size	Outside diameter of roll	Max. 100mm (3.93") or less
		Inner core diameter	40mm +/- 1mm (1.5")
		Width	30-64mm (Linerless label: 60mm)
		Length	30-200mm (Linerless label: 30-175mm)
	Cassette	Non-cassette (Virtual cassette function)	
	Thermal head	2"	
	Resolution	Bdot/mm (200dpi)	
	Speed of printing (MAX)	120mm/sec	
	Printing width (MAX)	56mm	
Printing length (MAX)	200mm		
Barcode type	JAN, EAN, EAN128, CODE128, UPC, ITF, GS1, QR, DATA MATRIX		
Control	I/O port	TCP/IP, USB, RS-485, Connector for external scale	
	OS	Linux	
	Communication	Wireless	

\*1) Self Service mode is available for any variation.